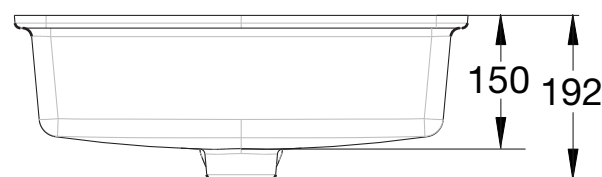
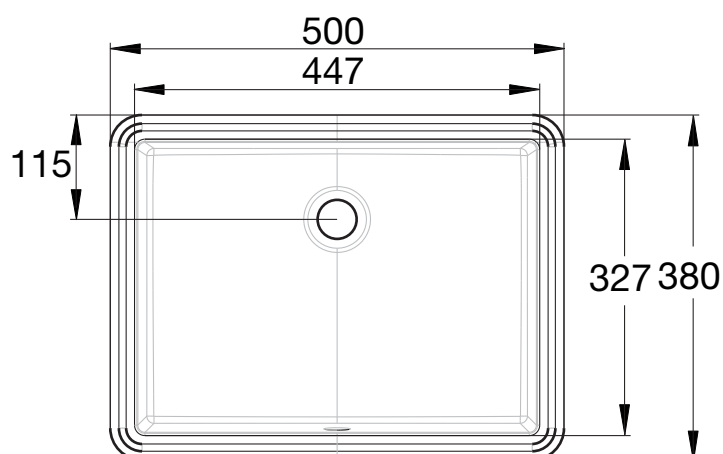


AMERICAN STANDARD

HERON SQUARE UNDER COUNTER



Dimensions are nominal measurements only.

SPECIFICATION

Recommended Use	Domestic, hotel or commercial
Material	Fine Fire Clay
Weight	10.5kg
Fixing Requirements	Underbench with fixing clips (supplied)
Integrated Overflow	Yes
Tap Hole Availability	None
Plug & Waste	Suits 32 x 40mm waste
Capacity	9 litres
Colour Availability	White
Template	Supplied



CLEANING RECOMMENDATIONS

We recommend the use of soapy water or approved cleaners. This product should not be cleaned with abrasive materials. Damage caused by any improper treatment is not covered by the product warranty. Refer to Warranty Conditions.

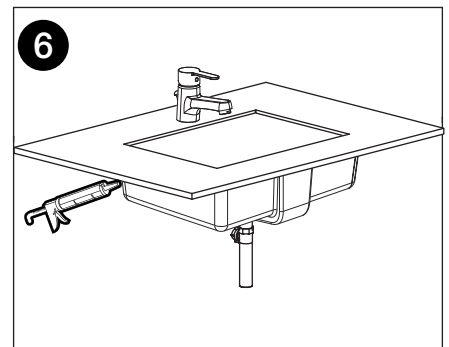
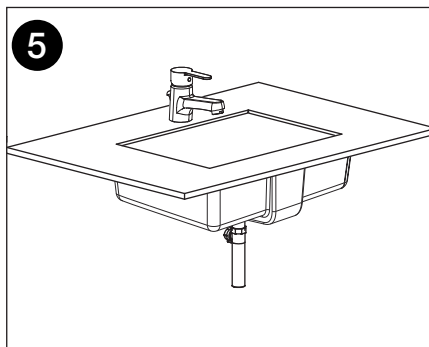
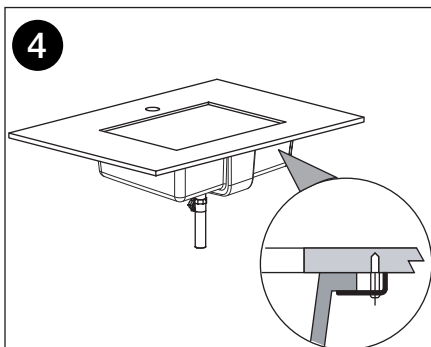
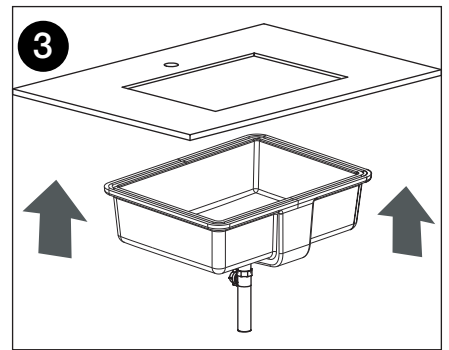
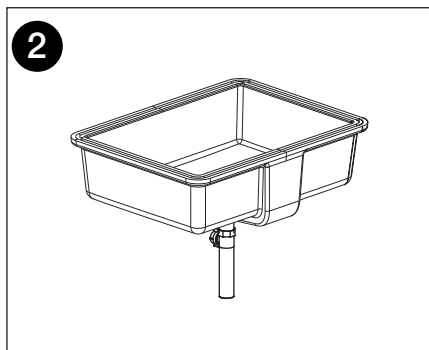
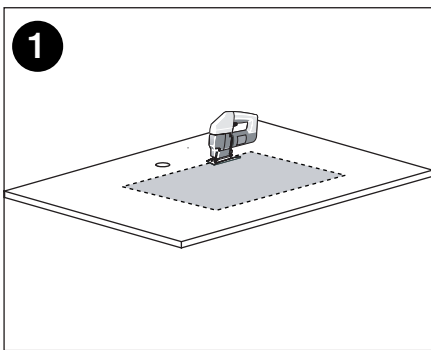
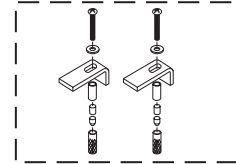
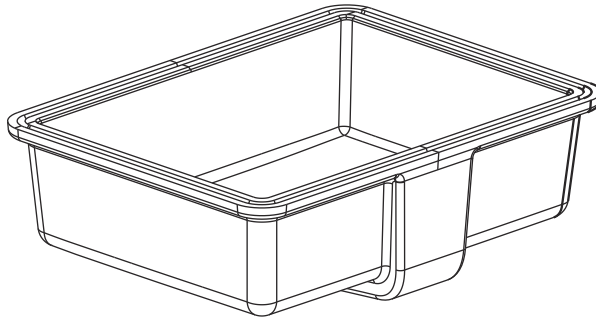
Disclaimer: Products in this specification manual must by regulation be installed by licensed and registered trade people. The manufacturer/distributor reserves the right to vary specifications or delete models from their range without prior notification. Dimensions are nominal measurements only. Dimensions and setouts listed are correct at time of publication however the manufacturer/distributor takes no responsibility for printing errors.

Tech Page Version 1

*American
Standard*

AMERICAN STANDARD HERON SQUARE UNDER COUNTER

INSTALLATION



Plumbers, please ensure a copy of the installation instructions is left with the end user for future reference

*American
Standard*